

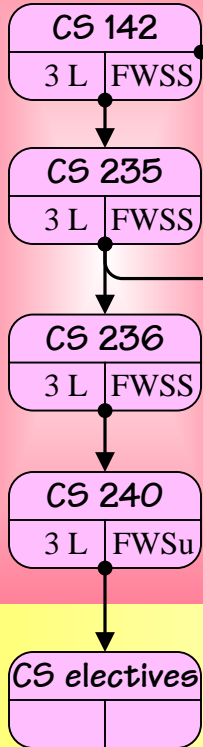
Brigham Young University Computer Engineering Flowchart

Note: This flowchart is a graphical presentation of the requirements in the 2008-2009 catalog. Please refer to the catalog for exact requirements.

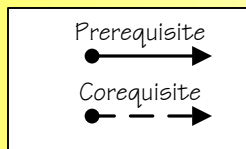
May 9, 2008

CS-Core

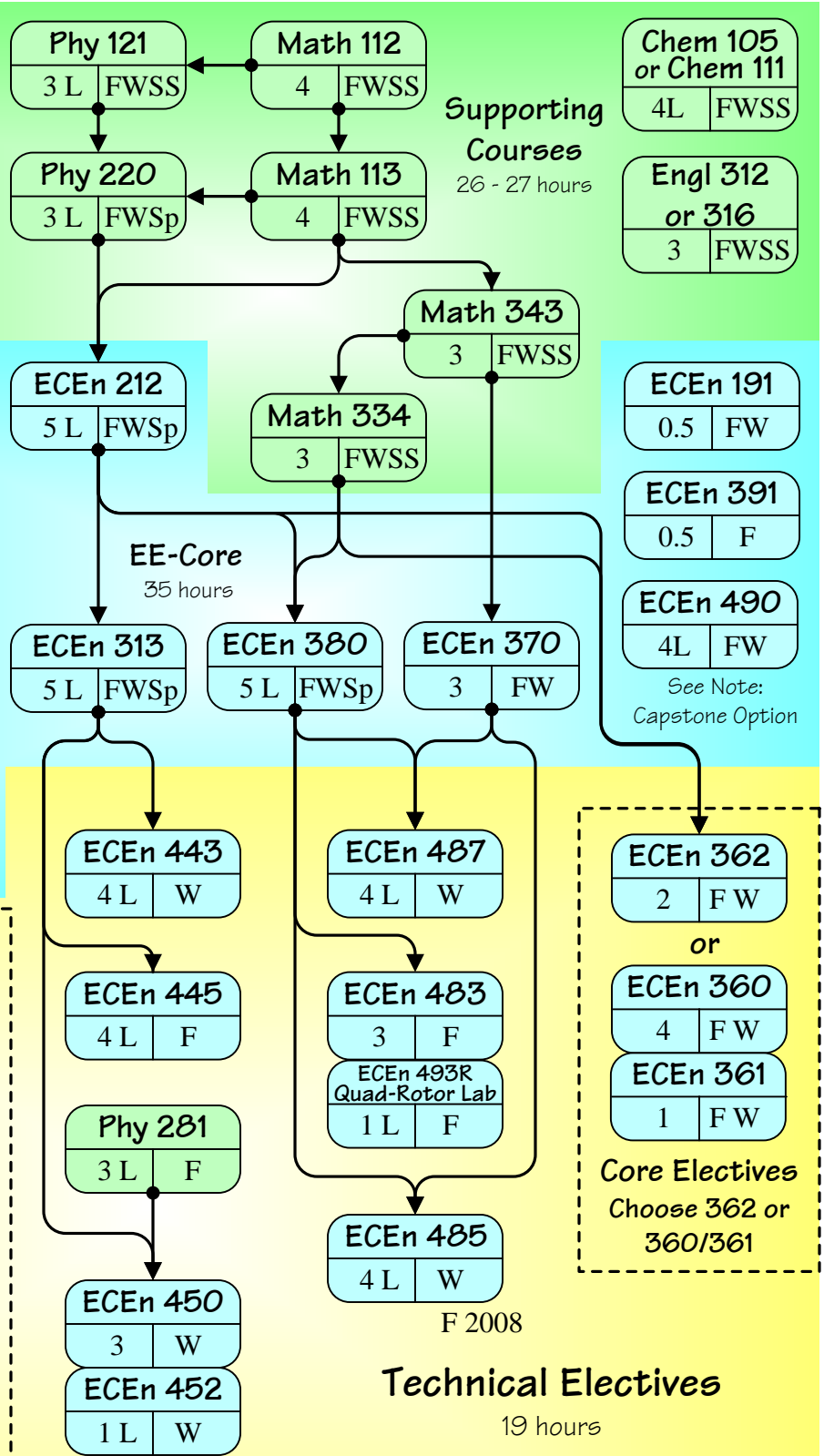
12 hours



CS Electives
CS 345, 428, 431, 452, 455, 456, 460, 462, 465, 470, 478, 486, or 5xx



Core Electives
Choose at least 2 courses from:
425, 427, 451



F 2008

Technical Electives

19 hours

Complete requirements in Core Electives. Choose remaining courses from additional core electives, other ECEn technical electives, or CS electives. Core electives + other technical electives = 19 hrs.

Notes:

- ✓ Before enrolling in ECEn 212, you must pass Phy 220 and Math 113 with an average grade of B or better, or get clearance from the department advisor.
- ✓ All classes in the Supporting (green) and EE-core (blue) sections must be taken to graduate.
- ✓ Before taking any course, all prerequisite courses must be completed first.
- ✓ Capstone Option: ECEn 490 and 2 tech electives may be replaced by ME 475/476.