

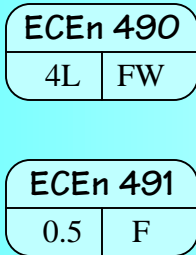
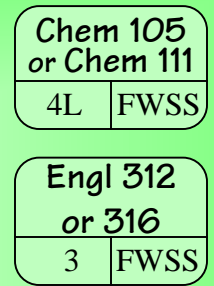
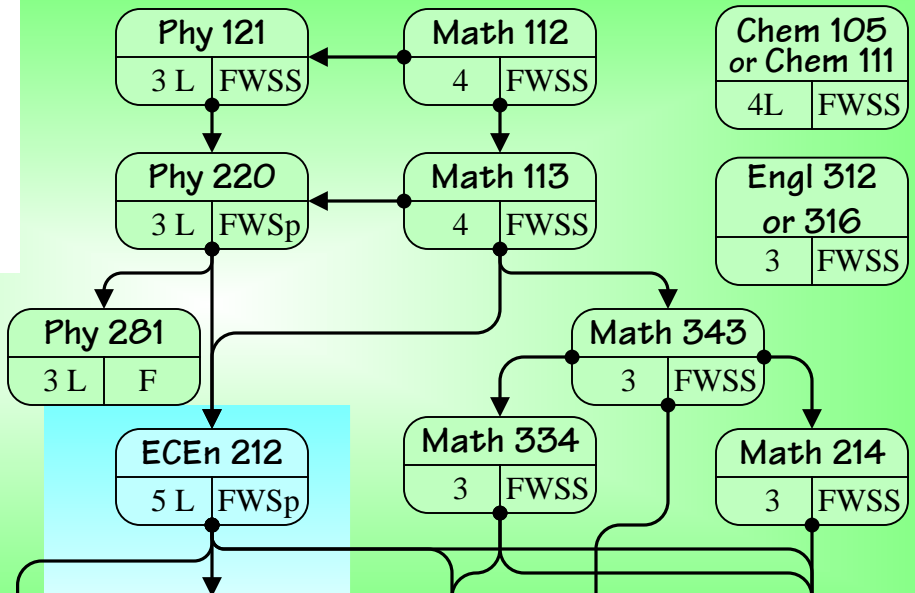
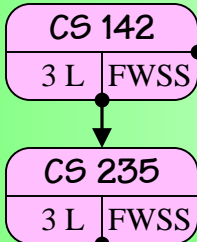
Brigham Young University Electrical Engineering Flowchart

Note: This flowchart is a graphical presentation of the requirements in the 2005-2006 catalog. Please refer to the catalog for exact requirements.

Feb 9, 2005

Pre-Professional

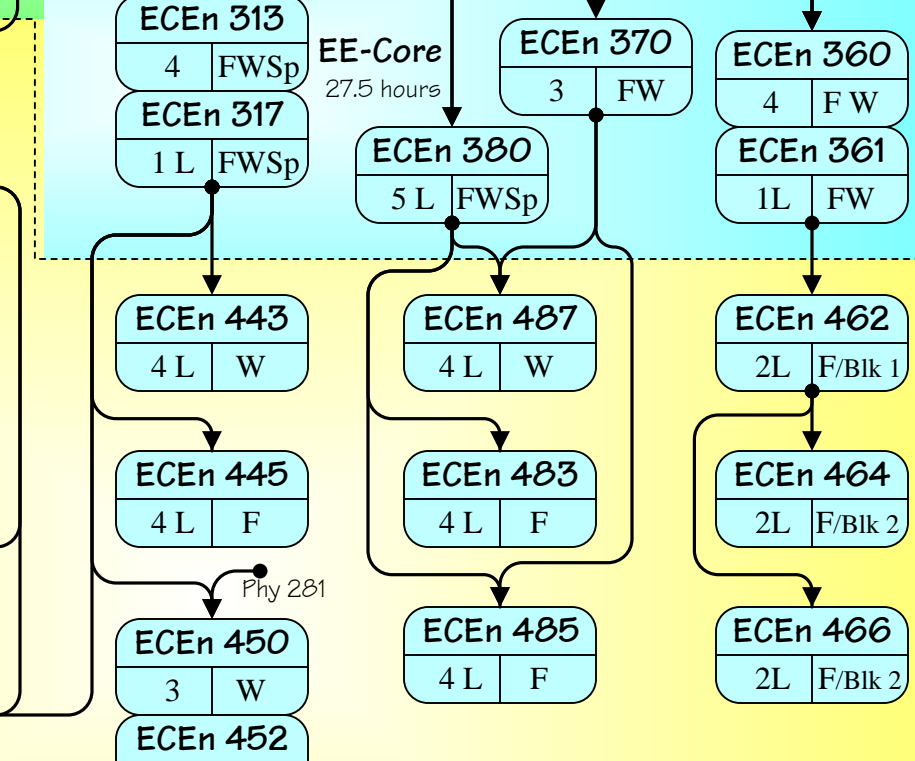
41 - 42 hours



Technical Electives

19 hours minimum

- Any advanced core elective
- CS 236 or 240
- Math 315, 316, 332, 347, 350, 355, 371, 372, 387, 411, 480, or 5XX
- Physics 222, 4XX, or 5XX, ChemE 381
- Other courses as approved by the department.



EE-Core
27.5 hours

Advanced Core Electives
Choose at least 4 courses

