

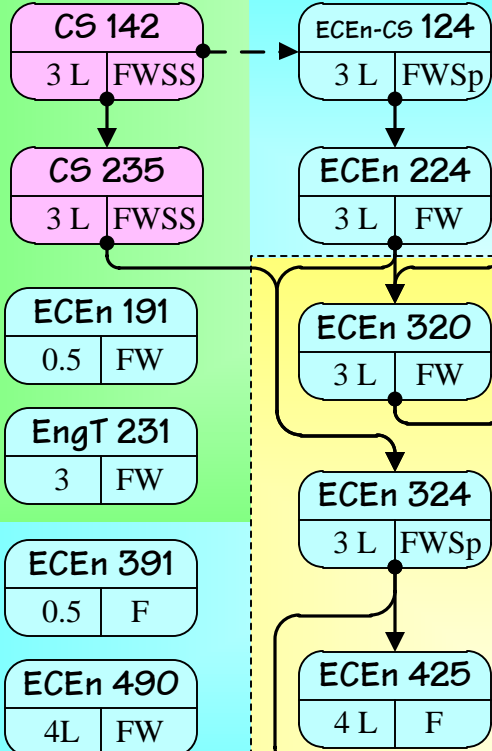
Brigham Young University Electrical Engineering Flowchart

Note: This flowchart is a graphical presentation of the requirements in the 2012-2013 catalog. Please refer to the catalog for exact requirements.

February 9, 2012

Supporting Courses

42.5 hours

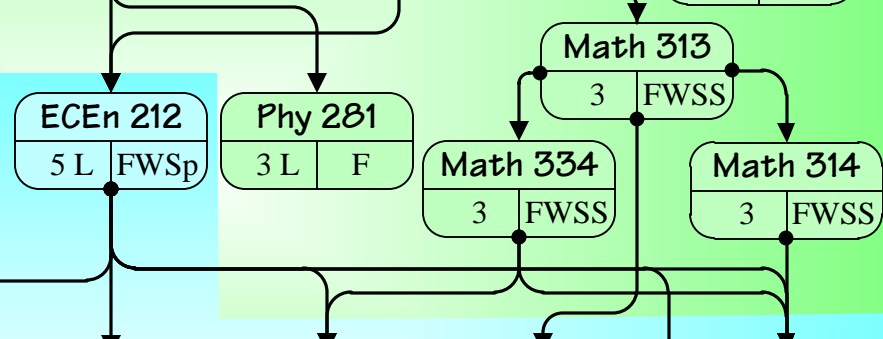
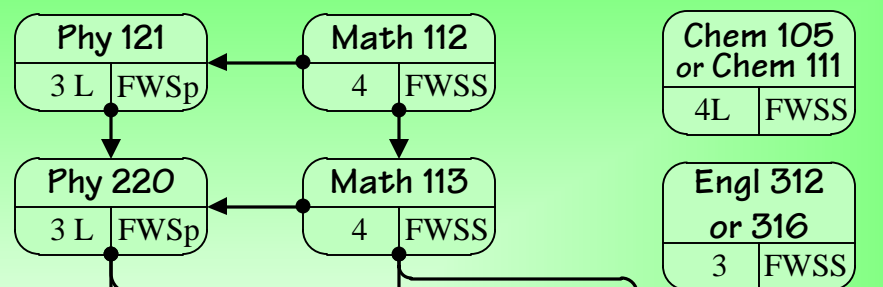


See Note: Capstone Option

Technical Electives

20 hours minimum
Taken from the following list:

- At least 17 hours of Advance core electives
- ECEncs 5xx
- CS 236 or 240
- Math 341, 342, 352, 355, 371, 372, 411, 447, 450, 480, 487, or 5XX
- Physics 222
- Other engineering or CS courses as approved by the department.



EE-Core

32.5 hours

Computer Engineering

MicroElectronics

Signals and Systems

ElectroMagnetics

Advanced Core Electives
Choose at least 17 credit hours

- Notes:**
- ✓ Before enrolling in ECEncs 212, you must pass Phy 220 and Math 113 with an average grade of B or better, or get clearance from the department advisor.
 - ✓ All classes in the Supporting (green) and EE-core (blue) sections must be taken to graduate.
 - ✓ Before taking any course, all prerequisite courses must be completed first.
 - ✓ Capstone Option: ECEncs 490 and 2 tech electives may be replaced by ME 475/476

